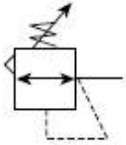




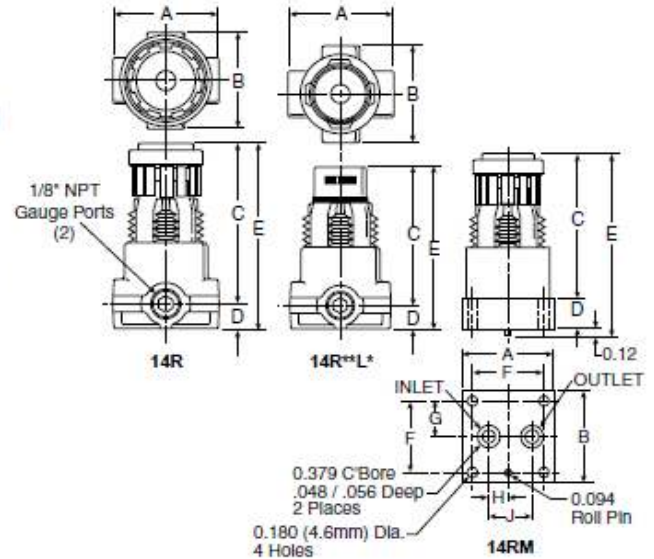
WEST MICHIGAN RUBBER & SUPPLY
1.800.533.9677
sales@westmichiganrubber.com

MINI REGULATOR



Features

- Unbalanced poppet standard.
- Solid control piston with lip seal for extended life.
- Non-rising adjusting knob.
- Compact, 2.88 inch (73,2mm) high by 1.65 inch (42mm) wide.
- Easily serviced.
- High Flow: 1/8" – 13 SCFM[§]
 1/4" – 15 SCFM[§]



Port Size	NPT
Without Gauge	
1/8"	14R013F*
1/4"	14R113F*
With Gauge	
1/8"	14R018F*
1/4"	14R118F*

Standard part numbers shown bold. For other models refer to ordering information below.

NOTE: 1.218 Dia. (31mm) hole required for panel mounting.

§ SCFM = Standard cubic feet per minute at 100 PSIG inlet, 90 PSIG no flow secondary setting and 10 PSIG pressure drop.

14R Regulator Dimensions					
14R	A	B	C	D	E
	1.65 (42)	1.56 (40)	2.50 (63.5)	0.38 (10)	2.88 (73)
14R**L*	A	B	C	D	E
	1.65 (42)	1.56 (40)	2.28 (57.9)	0.38 (10)	2.68 (68)
14RM	A	B	C	D	E
	1.50 (38)	1.50 (38)	2.36 (60)	0.50 (13)	2.98 (73)
	F	G	H	J	
	1.188 (30)	0.594 (15)	0.325 (8)	0.725 (18)	

Inches (mm)

MINI REGULATOR – PAGE 2

Ordering Information



Port Size
0 1/8 Inch Pipe, 1/8 Inch Gauge Port
1 1/4 Inch Pipe, 1/8 Inch Gauge Port
B 1/4 Inch Pipe, 1/4 Inch Gauge Port
C 1/8 Inch Pipe, No Gauge Port
M Manifold Mounting

Pressure Range	
<u>Without Gauge</u>	
<u>Yellow Knob</u>	<u>Black Knob</u>
10 30 PSIG	B0 30 PSIG
11 60 PSIG	B1 60 PSIG
12 15 PSIG	B2 15 PSIG
13 125 PSIG	B3 125 PSIG
<u>With Gauge*</u>	
15 30 PSIG	B5 30 PSIG
16 60 PSIG	B6 60 PSIG
17 15 PSIG	B7 15 PSIG
18 125 PSIG	B8 125 PSIG

* Not available with BSPP or BSPT port types.

Relief
F Relieving
G Non-Relieving
H Low Temp. Relieving
J Low Temp. Non-Relieving

Port Type	
Blank	NPT
1	BSPP
2	BSPT

Options	
Blank	No Options
L [†]	Preset Non-Adjustable
P [†]	Preset Adjustable
S [†]	Pressure Limiter Max. Adjustable
T [†]	Pressure Limiter Max. Non-Adjustable

Preset / Pressure Limited	
Blank	None
XXX*	Preset Pressure
XXX*	Pressure Limited

* Available Preset / Pressure Limited Range, 10 to 90 PSIG in 5 PSIG increments. For higher pressures, contact factory.
(Example: 065 = 65 PSIG)

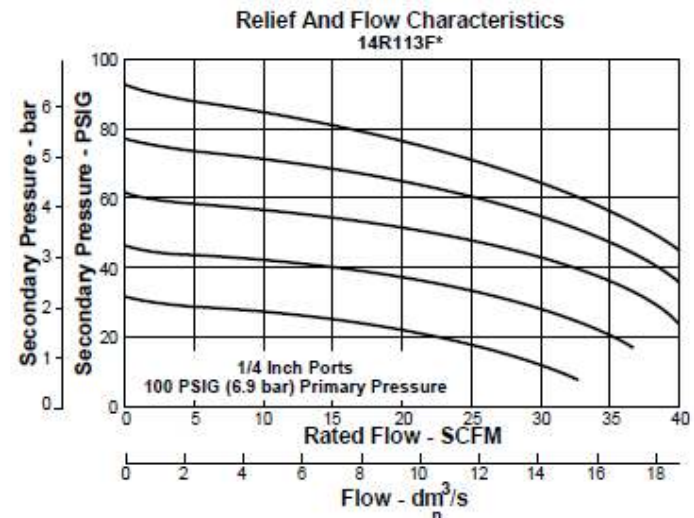
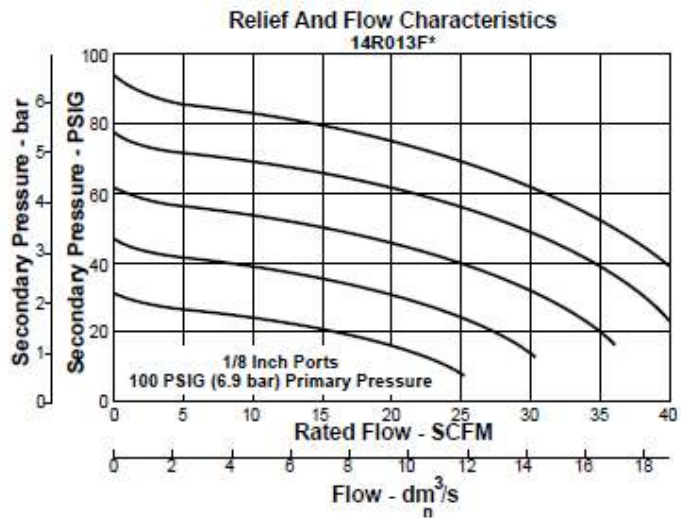
Engineering Level
* Will be Entered at Factory

† Inlet Pressure is 100 PSIG. For other pressures, contact factory.

Spring Type by Preset / Limited Pressure:
 For Preset / Limited Pressure 10 to 25 use 30 PSI Spring
 For Preset / Limited Pressure 26 to 50 use 60 PSI Spring
 For Preset / Limited Pressure 51 to 90 use 125 PSI Spring

BOLD ITEMS ARE MOST POPULAR.

Technical Information



CAUTION:
REGULATOR PRESSURE ADJUSTMENT – The working range of knob adjustment is designed to permit outlet pressures within their full range. Pressure adjustment beyond this range is also possible because the knob is not a limiting device. This is a common characteristic of most industrial regulators, and limiting devices may be obtained only by special design.

For best performance, regulated pressure should always be set by increasing the pressure up to the desired setting.

⚠ WARNING
<p>Product rupture can cause serious injury. Do not connect regulator to bottled gas. Do not exceed maximum primary pressure rating.</p>

MINI REGULATOR – PAGE 3

14R Regulator Kits & Accessories

Bonnet Assembly Kit	L01369
Bonnet Tamperproof Kit.....	P01265
Gauges – 30 PSIG, 1/8" NPT (0 to 2.1 bar).....	K4515N18030
60 PSIG, 1/8" NPT (0 to 4.1 bar).....	K4515N18060
160 PSIG, 1/8" NPT (0 to 11.0 bar)	K4515N18160
60 PSIG, 1/4" NPT (0 to 4.1 bar)	K4520N14060
160 PSIG, 1/4" NPT (0 to 11.0 bar).....	K4520N14160
Mounting Bracket Kit* (Includes Panel Mount Nut).....	PS417BP
Panel Mount Nuts* – Plastic	P78652
Metal.....	P01531
Poppet / Piston Kits – Unbalanced, Non-Relieving.....	PS428P
Unbalanced, Relieving.....	PS426P
Springs – 1-15 PSIG Range (Yellow).....	P01176
1-30 PSIG Range (Black).....	P01175
1-60 PSIG Range (White)	P01174
2-125 PSIG Range (Gold)	P01173

*Tighten panel mount nut 2.8 to 3.4 Nm (25 to 30 in-lbs) of torque.

Specifications

Gauge Ports (2)	1/8 or 1/4 Inch
(Can be used for Full Flow)	
Port Threads	1/8, 1/4 Inch
Pressure & Temperature Ratings –	0 to 300 PSIG (0 to 20.7 bar)
	32°F to 125°F (0°C to 52°C)
Low Temperature	-4°F to 125°F (-20°C to 52°C)
Secondary Pressure Ranges –	
Standard Pressure.....	2 to 125 PSIG (0 to 8.6 bar)
Medium Pressure.....	1 to 60 PSIG (0 to 4.1 bar)
Medium Pressure.....	1 to 30 PSIG (0 to 2.1 bar)
Low Pressure	1 to 15 PSIG (0 to 1 bar)
Weight – 14R, 14RM, 14**L*	0.3 lb. (0.14 kg)

Materials of Construction

Adjusting Nut.....	Brass
Adjusting Stem & Spring	Steel
Body	Zinc
Bonnet, Seat, Piston & Valve Poppet	Plastic
Seals	Nitrile