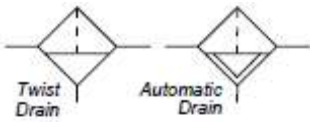




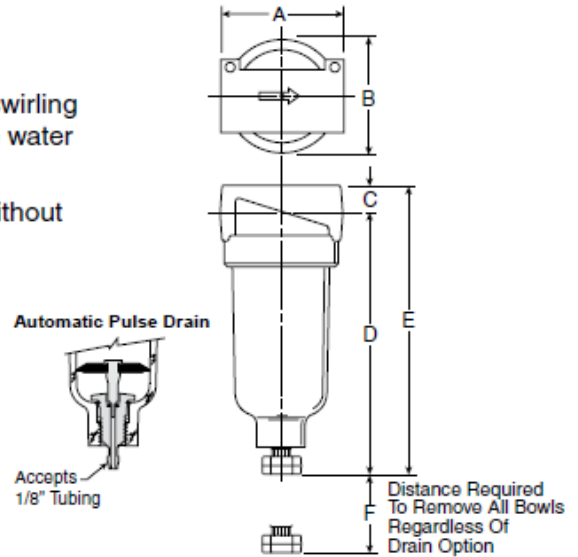
WEST MICHIGAN RUBBER & SUPPLY
1.800.533.9677
sales@westmichiganrubber.com

MINI FILTER



Features

- Excellent water removal efficiency.
- Unique deflector plate that creates swirling of the air stream ensuring maximum water and dirt separation.
- Easily disassembled for servicing without the use of tools.
- 5 micron element standard.
- Interchangeable Twist and Automatic Pulse Drains.
- High Flow: 1/8" – 22 SCFM[§]
 1/4" – 24 SCFM[§]



Port Size	NPT	
	Twist Drain	Automatic Pulse Drain
Poly Bowl ‡		
1/8"	14F01B*	14F05B*
1/4"	14F11B*	14F15B*
Metal Bowl without Sight Gauge		
1/8"	14F03B*	14F07B*
1/4"	14F13B*	14F17B*

Standard part numbers shown bold.

For other models refer to ordering information below.

‡ For polycarbonate bowl see Caution on page A2.

§ SCFM = Standard cubic feet per minute at 90 PSIG inlet and 5 PSIG pressure drop.

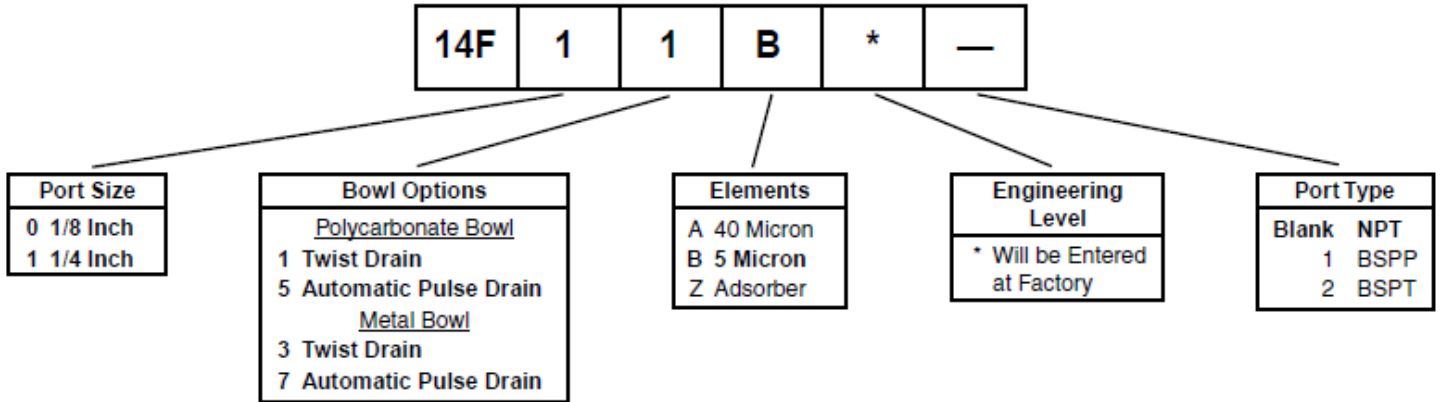
14F Filter Dimensions		
A	B	C
1.69 (43)	1.53 (39)	.39 (10)
D	D†	E
3.82 (97)	3.87 (99)	4.21 (107)
E†	F	
4.26 (108)	1.60 (41)	

Inches (mm)

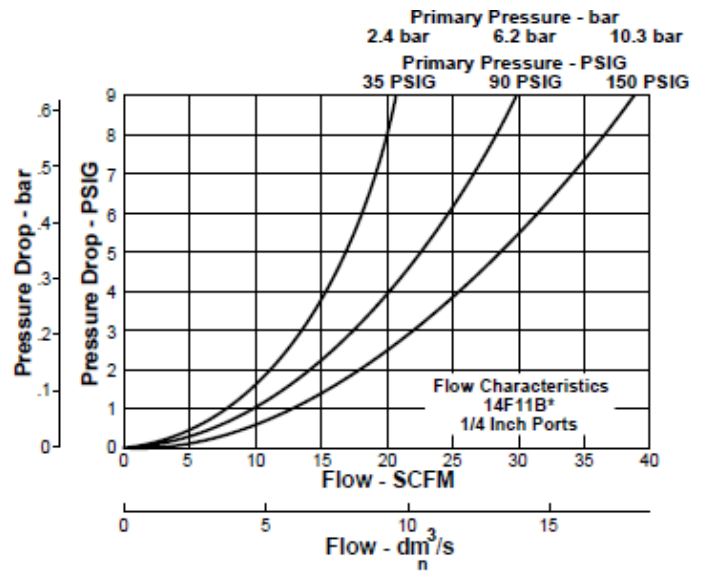
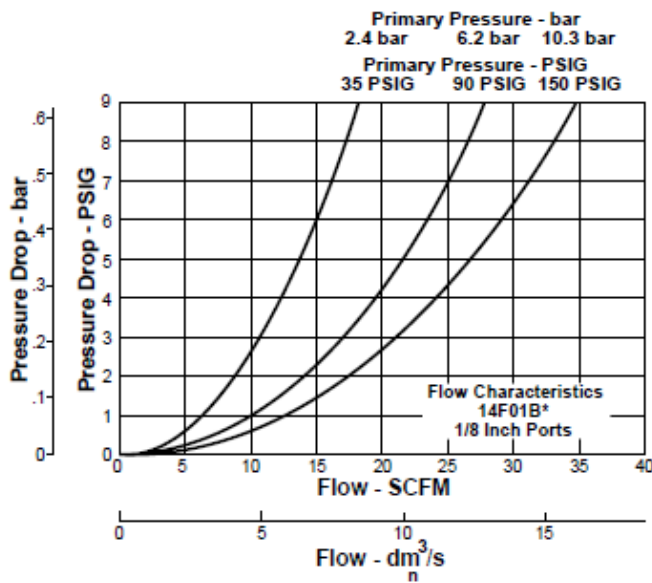
† With Automatic Pulse Drain.

MINI FILTER – Page 2

Ordering Information



Technical Information



Mini Filter – Page 3

14F Filter Kits & Accessories

Bowl Kits –

Poly Bowl –	
Automatic Pulse Drain	PS408BP
Twist Drain	PS404P
Metal Bowl –	
Automatic Pulse Drain	PS451BP
Twist Drain	PS447BP

Filter Element Kits –

40 Micron	PS401P
5 Micron	PS403P
5 Micron Cartridge Kit.....	PS407P
Adsorber.....	PS452P

Mounting Bracket Kit.....	PS417BP
---------------------------	---------

Specifications

Automatic Pulse Drain Tube Barb 1/8 Inch

Bowl Capacity 1 Ounce

Port Threads 1/8, 1/4 Inch

Pressure & Temperature Ratings –

Polycarbonate Bowl 0 to 150 PSIG (0 to 10.3 bar)
32°F to 125°F (0°C to 52°C)

Metal Bowl..... 0 to 250 PSIG (0 to 17.2 bar)
32°F to 175°F (0°C to 80°C)

Automatic Pulse Drain 10 to 250 PSIG (0.7 to 17.2 bar)
at 125°F (52°C) or less

Weight 0.41 lb. (0.18 kg)

Materials of Construction

Body.....Zinc

Bowls Transparent Polycarbonate
Metal (Zinc) Bowl w/o Sight Gauge

Deflector, Element Holder & Baffle Plastic

Drains –

Twist Drain –
 Body & Stem Plastic
 Seals Nitrile

Automatic Pulse Drain –

 Piston & Seals..... Nitrile
 Stem, Seat, Adaptor & Washers..... Aluminum

Filter Elements –

5 Micron (Standard)..... Plastic
40 Micron (Optional)..... Plastic
Adsorber (Optional) Activated Charcoal

Seals Nitrile