



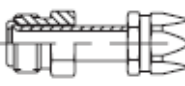

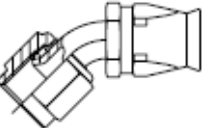
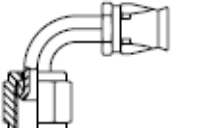

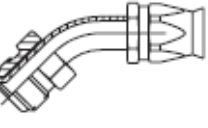
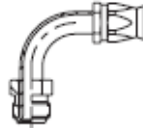
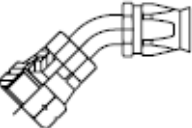







WEST MICHIGAN RUBBER & SUPPLY
1.800.533.9677
sales@westmichiganrubber.com

90 SERIES HYDRAULIC HOSE ENDS

 <p>90 Series Hose Fittings</p>	<p>201 Male Taper Pipe Rigid</p>  <p>90 pg. 142</p>	<p>206 SAE (JIC) 37° Swivel</p>  <p>90 pg. 142</p>	<p>208 SAE 45° Swivel</p>  <p>90 pg. 143</p>	<p>228 SAE Male Inverted Swivel-Straight</p>  <p>90 pg. 143</p>	<p>234 Straight Tube</p>  <p>90 pg. 143</p>
<p>237 SAE (JIC) 37° Swivel 45° Elbow</p>  <p>90 pg. 144</p>	<p>239 SAE (JIC) 37° Swivel 90° Elbow</p>  <p>90 pg. 145</p>	<p>261 SAE Compression Air Brake</p>  <p>90 pg. 145</p>	<p>267 SAE Male Inverted Swivel 45° Elbow</p>  <p>90 pg. 146</p>	<p>269 SAE Male Inverted Swivel 90° Elbow</p>  <p>90 pg. 147</p>	<p>277 SAE 45° Swivel 45° Elbow</p>  <p>90 pg. 147</p>
<p>279 SAE 45° Swivel 90° Elbow</p>  <p>90 pg. 148</p>	<p>200 Replacement Socket for Field Attachable Fittings</p>  <p>90 pg. 149</p>	<p>0 Replacement Ferrule for 90 Series Field Attachable Fittings</p>  <p>90 pg. 149</p>			